

**STAINLESS STEEL HEAVY DUTY ADA COMPLIANT HAND SINK WITH:  
WELDED DRAIN, PLUMBING ENCLOSURE PROTECTION BOX WITH  
REMOVABLE DOOR**



**ADA COMPLIANT HAND SINK: Compliance is subject to the interpretation and requirements of the local code authority**

**BSMHS2019SPFWX**

**NSF & ETL Approved Fabrication**

**Heavy duty 14 gauge (0.0781") type 304 stainless steel**

**Interior and exterior surfaces brushed/polished finish Seamless, fully welded corners**

**Dimension: 20"L x 19"W x 5-1/2" Deep**

**Back Splash Dimension: 20"L x 1"W x 4"H**

**Includes:**

**1 ADA METERING FAUCET**

**1 ADA STICKER**

**1 Standard Welded Drain**

**2 Stainless Steel Wall clip 3"x4" 14 GA (0.0781")**

**1 Stainless Steel HEAVY DUTY ENCLOSURE BOX 19-7/8" X 10" X 16"HEIGHT**

**For sink Support at wall and plumbing protection 14 GA (0.0781")**

**1 Stainless Steel HEAVY DUTY Access Removable Door 20"W X 16-1/8"H X 3/4"**

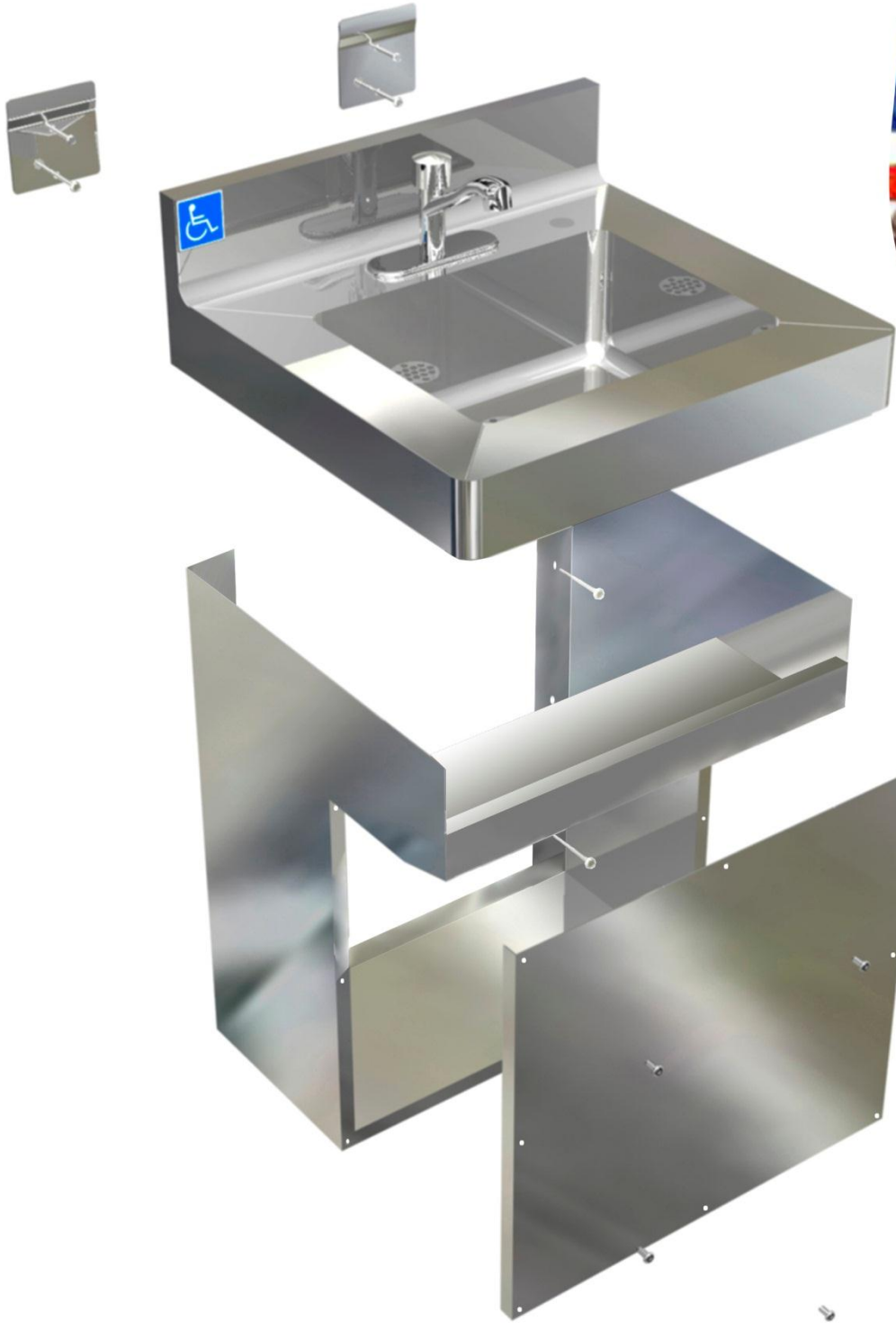
**14 GA (0.0781") with screws virtually impossible to remove without Special tools (Driver Tool model:83335A65)**

**6 2-1/2" Standard Screws for clips & brackets**

**3 Holes 1" diameter for faucet**

**12 PIN-IN-TORX SCREWS FOR REMOVABLE DOOR model BSM91900A537**

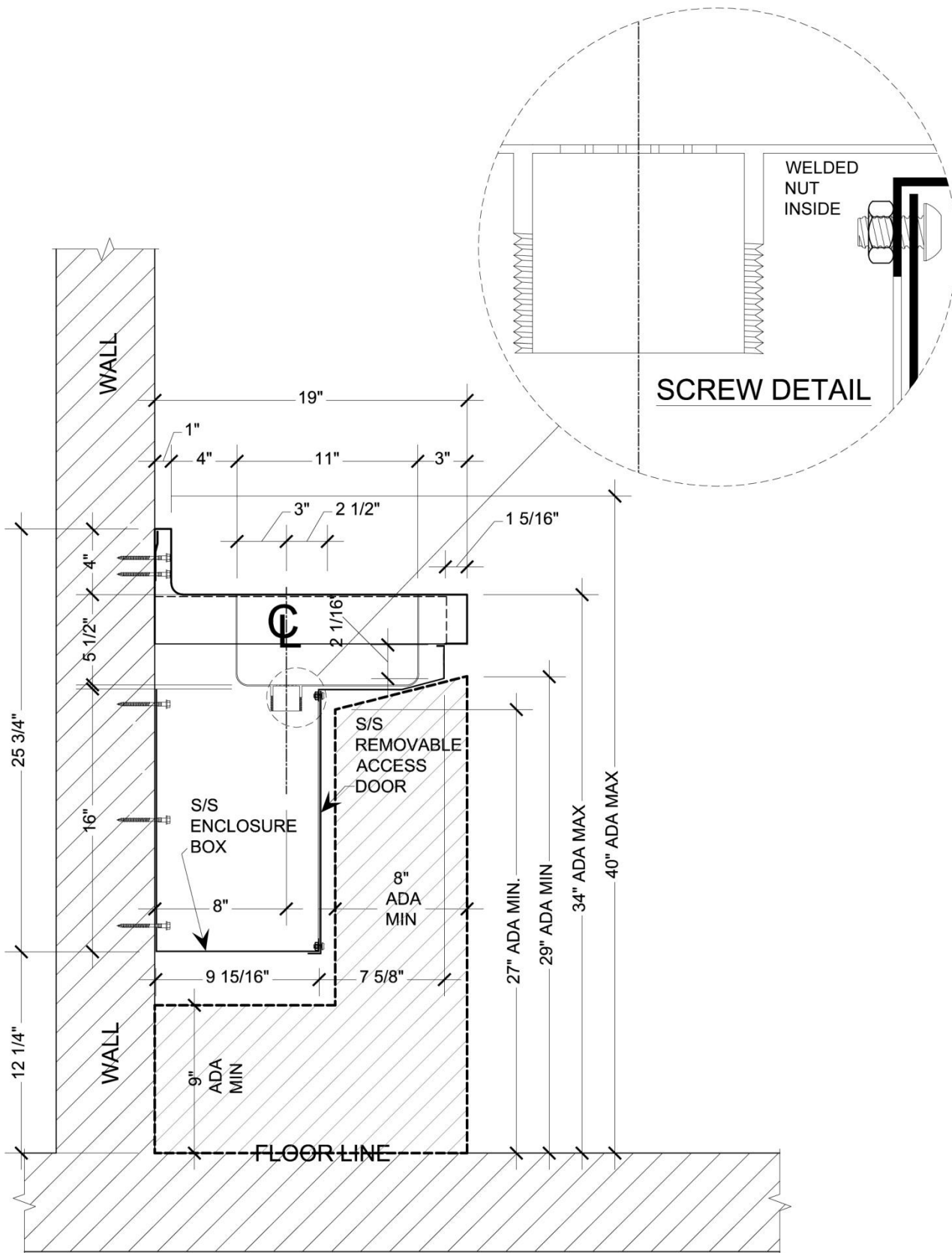
**MADE IN USA ONLY: BODY (CHASSIS), BRACKETS AND CLIPS**



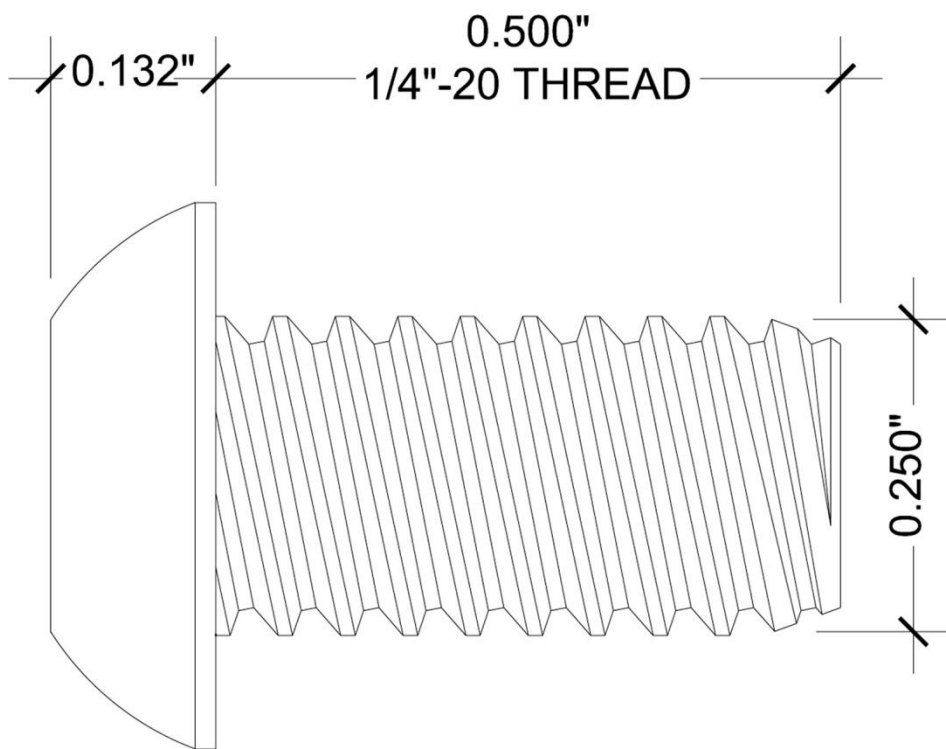
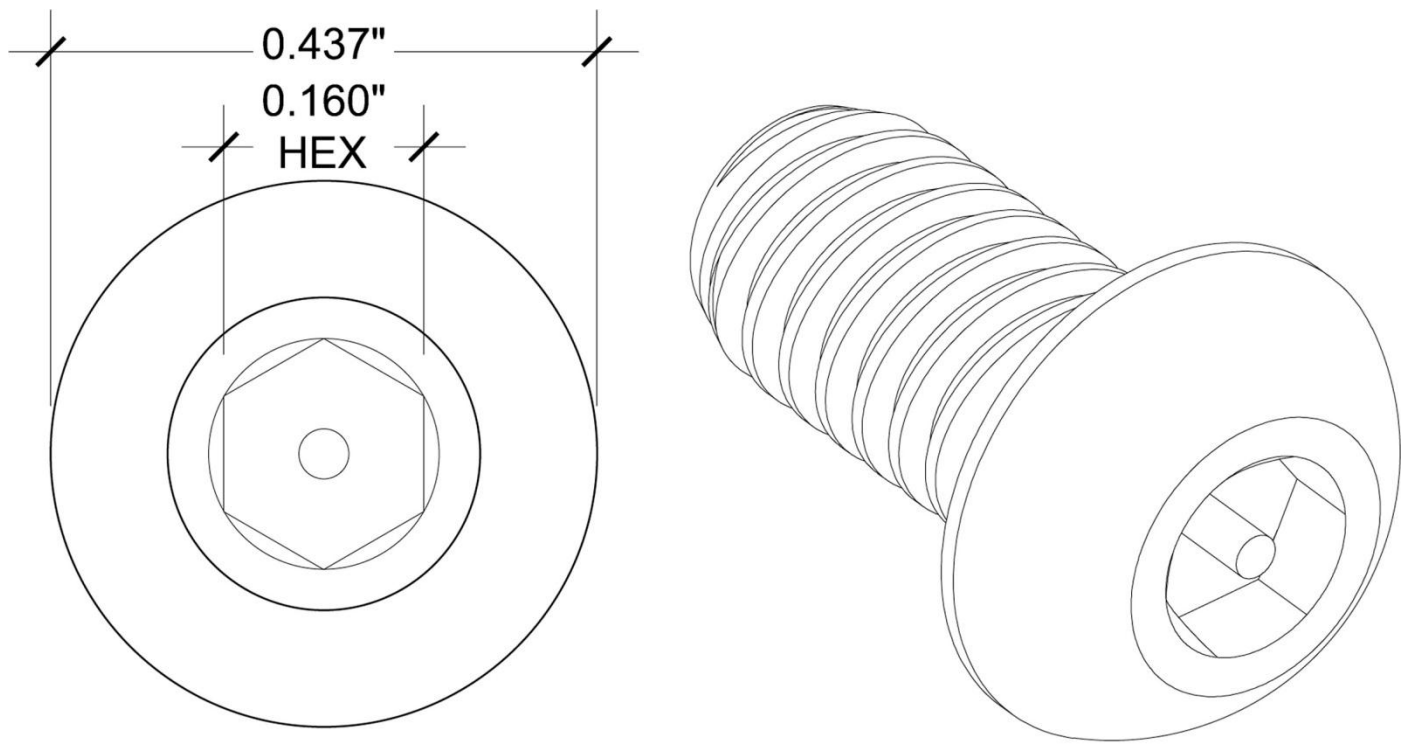
**MADE IN AMERICA**

**10 UNITS PIN-IN-TORX  
SCREWS**



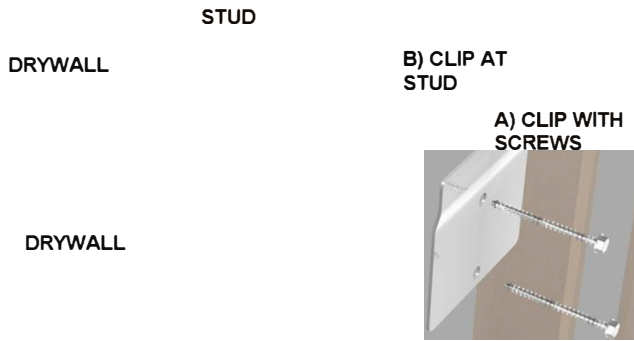


**SECTION WITH ENCLOSURE BOX SUPPORT & WELDED DRAIN**



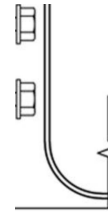
**18-8 STAINLESS STEEL BUTTON PIN-IN-HEX HEAD  
CAP SCREW**

---



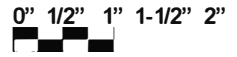
**BACK SPLASH WITH CLIP AT WALL IN ALL MODELS, 2 SCREWS AT STUD OR BLOCKING**

WALL



WALL

**WALL TO BACK SPLASH ANCHOR DETAIL**



**METERING FAUCET  
MODEL: BSM-S-72**



**SOLID WELDED NPT SCHEDULE 40 STAINLESS STEEL DRAIN #304 PLUS WELDED STRAINER STAINLESS STEEL #304 14GA (0.078")**



**BOTTOM VIEW WELDED DRAIN**